

## Mounting Considerations - FlexMAX® Flexible Screw Conveyors

The FlexMAX® flexible screw conveyors from Erie Technical Systems require support of the discharge head at installation and may require support of the casing for longer installations. The discharge head of the conveyors vary in weight from 150 lbs. up to 385lbs. See the user manual for the exact weights of a particular size and configuration.

Erie Technical Systems Inc. recommends supporting the discharge head from above if possible using the mounting brackets provided on the discharge head. There are 3 9/16" holes provided on either side of the discharge head. Note: The eye bolt atop the motor should not be used to support the weight of the discharge head. It is designed for lifting the motor only.

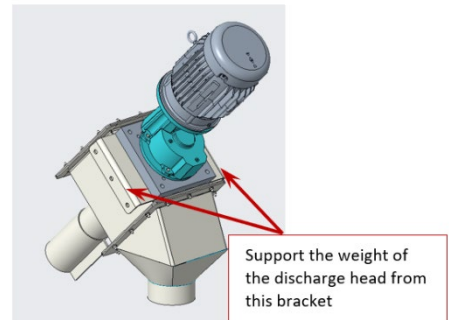


Figure 1 - Mounting Points

The discharge head can be hung from straps, threaded rods or cables from the ceiling. If this is not an option, the discharge head can be supported from the floor using a single post or A-frame design.

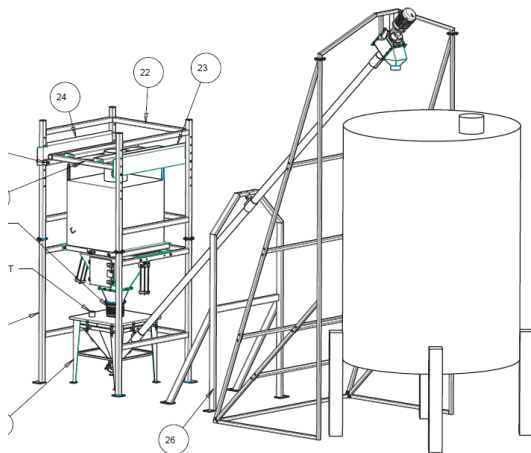


Figure 2 - Example of floor mounted A-Frame support with secondary mid-point support.

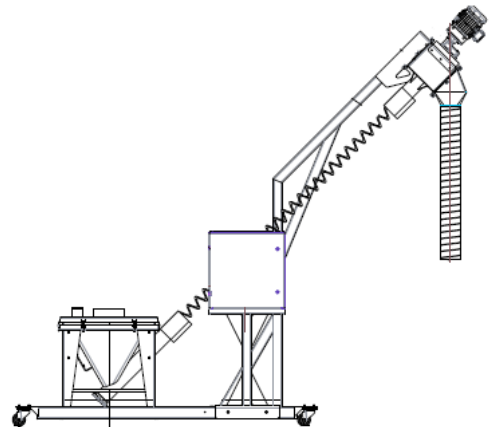


Figure 3 - Example of supporting the head from a boom. (Shown on portable cart)

For longer installations it is recommended to provide an additional support point in the middle of any conveyor over 15' in length at the midpoint. This can be accomplished with a pipe hanger or using a through-coupling available from ETSI. For conveyors approaching 40' it is recommended to support the conveyor casing at two points – 1/3 and 2/3 of the overall length.